

Writelog Networking Requirements for WRTC2014 Live Scoreboard

Overview

The WRTC2014 Live Scoreboard will be the first fully automated near-real-time scoreboard in the history of WRTC. Each station will be equipped with a small “Score Collection Computer” (or SCC) that will detect score data being shared between your PC’s and upload that data to the Live Scoreboard server.

WRTC2014 will be providing each team with an Ethernet switch and a linear power supply, both of which have been tested for RFI/EMI. The Score Collection Computer will also be powered by the same power supply. *For planning purposes, this equipment will take up only a single AC outlet on your two six-outlet AC power strips.*

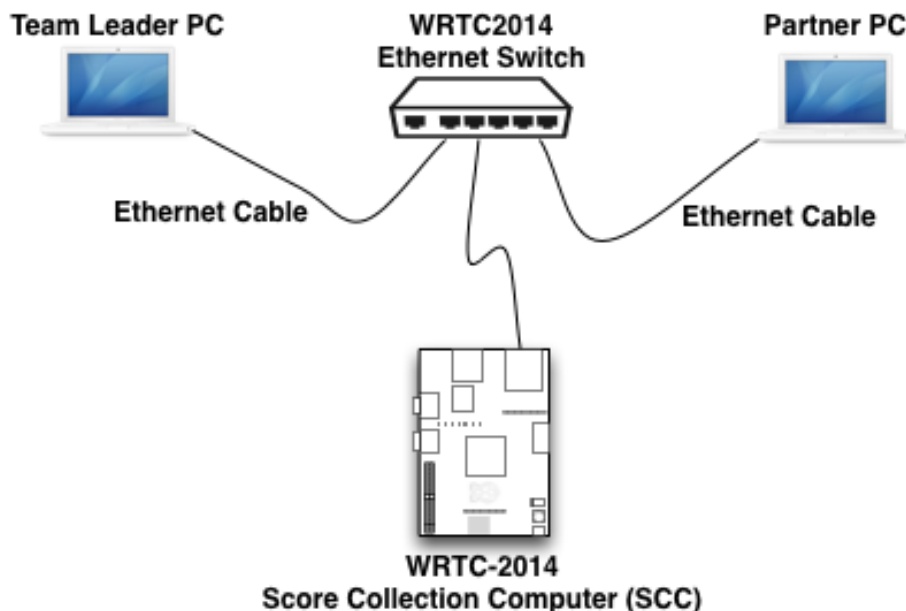
Your referee will transport and set up the Score Collection Computer and Ethernet switch upon arrival at your designated operating site. We will have tested and certified this equipment in advance of WRTC2014.

You will provide:

- **Two (2) straight 7’ (or longer) Ethernet cables (one for each of your computers)**
 - You should test your cables prior to packing them!
 - You should also bring a third straight Ethernet cable as a spare
- **An Ethernet “crossover cable” (emergency backup in the unlikely event the Ethernet switch fails)**
- **Your own small Ethernet switch (3 ports, minimum) as an emergency backup (optional)**

Please keep in mind that an Ethernet switch is *not* a router. The Ethernet switch performs the same function as a crossover cable, but because it has multiple ports it allows the Score Collection Computer (SCC) to connect to your network. Another way to think about the switch is that it’s a “crossover cable tee connector.” The SCC is a passive device on your network (i.e., it does not send *any* data packets on your logging network).

This diagram shows the physical network connections required for your network setup:



No additional software will need to be installed on your station PCs. **However, Writelog has a score broadcast setting that you need to configure when you create your contest log.** The configuration is very simple and only involves one extra step beyond the normal networking setup that everyone must do to configure Writelog for multi-operator use.

Setting up your Computer Network Connections

Set up Writelog on each of your logging computers, following the Writelog documentation instructions. When you set up your local area network, use the following IP addresses on your computers:

Computer 1: 192.168.73.1

Computer 2: 192.168.73.2

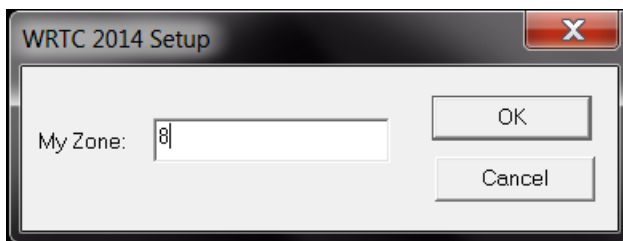
We also strongly suggest that you disable the network firewall in order for broadcasts to work correctly. You may also want to disable virus protection prior to the contest and then enable it again when the contest is over.

Setting Zone 8 in Parameter Setup

Note: Setting your ITU Zone in Parameter Setup must be done on both PCs.

In order for Writelog to score the contest correctly, it is extremely important that you set your ITU Zone to 8 in the Parameter Setup menu as follows:

1. Open your WRTC log
2. In the Writelog menu, select Contest...Parameter Setup...
3. Enter 8 in the My Zone field



4. Click OK
5. Close and re-open Writelog

Writelog will now score QSOs correctly relative to ITU Zone 8.

Additional Steps for Broadcasting Score Data

Once you have set up your log in Writelog, perform the following steps **on just one of your logging computers:**

1. In the Writelog menu, select Contest...Broadcast Score...

Log submission details

Call used: Location

Operator Overlay Station

Power Xmtr Mode Band

Assisted Time

Club

Calls of all operators

State/Province Country

Create Cabrillo File | Address for Cabrillo | Soapbox for Cabrillo | **cqcontest.net Upload** | Getscores.org Upload

Network Address UDP Port

Password

Active Contests: Upload Post Score min post qso&mult breakdown also

2. In the Log Submission Details window, select the “cqcontest.net Upload” tab. Make sure the following settings are set:
 - a. In the Network Address dropdown, select “**All local networks**”
 - b. In the UDP Port field, enter **9871**
 - c. In set Post Score dropdown, select **5** minutes
 - d. Check “post qso&mult breakdown also” checkbox

3. Click the **Start** button